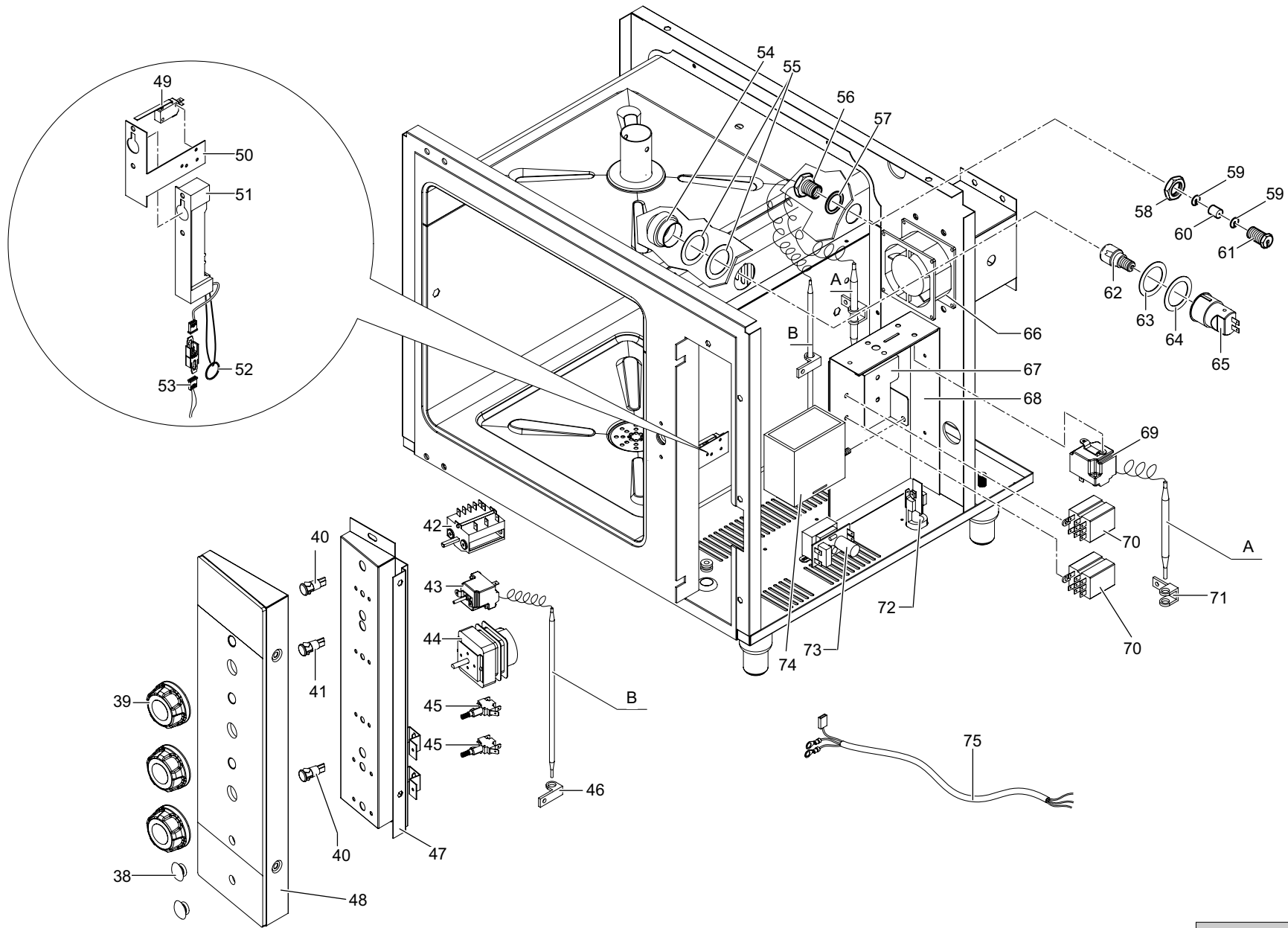


FEMD 023

PLANET

TAV. 708-1



FEMD 023

| TAVOLA | POS. | CODICE | ITALIANO | FRANCESE | INGLESE | TEDESCO |
|----------------|------|------------|--|-----------------------------------|--------------------------------|---------------------------------|
| FORNI TAV. 708 | 1 | GRFOC00238 | GRUPPO PORTA FORNO FEC023 | GROUPE PORTE DU FOUR | UNIT OVEN DOOR | GRUPPE OFENTÜR |
| FORNI TAV. 708 | 2 | PAFOC00727 | MANTELLINO SUPERIORE FEC023/1 | COUVERCLE DE PROTECTION SUPERIEUR | PROTECTIVE HIGHER COVER | SCHUTZHULLE HOHER |
| FORNI TAV. 708 | 3 | PAFOC00728 | MANTELLINO LATERALE DX FEC023/1 | COUVERCLE DE PROTECTION LATERAL | PROTECTIVE LATERAL COVER | SCHUTZHULLE SEITLICHEN |
| FORNI TAV. 708 | 4 | RTFOC00708 | GRIGLIA F.FEC023 CROM. | GRILLE DU FOUR | OVEN GRATE | OFENROST |
| FORNI TAV. 708 | 5 | RTFOC00634 | AT.GRIGLIA LAT.F.FEC023 | ATTAQUE LATÉRALE | LATERAL CONNECTION | SEITENANSCHLUSS |
| FORNI TAV. 708 | 6 | RTFOC00707 | GRIGLIA LAT.FEC023 CROM. | GRILLE LATERAL | LATERAL GRATE | ROST |
| FORNI TAV. 708 | 7 | RTFOC00758 | GUARNIZ.P.F.FEC023 | GUARNITURE POUR PORTE | DOOR GASKET | TÜRDICHTUNG |
| FORNI TAV. 708 | 8 | GAFOC00237 | AS.CERN.INF.P.F.FEC023 | CHARNIÈRE INFÉRIEUR PORTE DU FOUR | INGE PIN INFER. | TÜRANGEL UNTEN |
| FORNI TAV. 708 | 9 | GAFOC00238 | AS.CERN.SUP.P.F.FEC023 | CHARNIÈRE SUPÉRIEURE | INGE PIN SUPER | TÜRANGEL OBEN |
| FORNI TAV. 708 | 10 | RTFOC00756 | CASSONE F.FEMD023/1 | CAISSON | BODY | SCHUBLADE |
| FORNI TAV. 708 | 11 | PAFOC00673 | DISCO SCARICO COND.FEC023 | DISQUE DÉCHARGÉ | DISK OUTLET | SCHEIBE AUSGANG |
| FORNI TAV. 708 | 12 | RTFOC00640 | ASTA AT.DISCO SCA.COND.FEC023 | BARRE TRANSVERSAL | ROD TRANSVERS. | STAB |
| FORNI TAV. 708 | 13 | RTCU700413 | MANOP.ASTA SCAR.GBM47 I222/25 | BOUTON | KNOB | DREHGRIF |
| FORNI TAV. 708 | 14 | RTFOC00049 | DADO FIS.BIC+RACC.FCV. | ECROU | NUT | MUTTER |
| FORNI TAV. 708 | 15 | RTFOC00020 | CALOTTA UMIDIF.FCV. | ECROU | NUT | MUTTER |
| FORNI TAV. 708 | 16 | 173195 | RONDELLA OTTONE | RONDELLE | WASHER | SCHEIBE |
| FORNI TAV. 708 | (17) | 180251 | INIET.UMID.PLANET D.1.5 | INJECTEUR HUMIDIFICATEUR | INJECTOR HUMIDIFIER | EINSPRITZER BEFEUCHTER |
| FORNI TAV. 708 | 18 | RTFOC00639 | TU.UMIDIFICATORE FEC023 | HUMIDIFICATEUR | HUMIDIFIER | BEFEUCHTER |
| FORNI TAV. 708 | 19 | RTFOC00637 | TU.AL.ACQ.UMIDIF.FEC023 | TUBE HUMIDIFICATEUR | PIPE HUMIDIFIER | ROHR BEFEUCHTER |
| FORNI TAV. 708 | (20) | RTFOC00022 | E/VALVOLA FCV.1V.207038 | SOUPAPE | ELECTRIC VALVE | ELEKTROVENTIL |
| FORNI TAV. 708 | 21 | 172834 | REGOLAT.E/VALV.FCV.BIANCO 0,25L | REGULATEUR DE PORTÉE | FLOWREGULATOR | DURCHSTRÖMUNGSREGLER |
| FORNI TAV. 708 | (22) | RTCU700451 | R.FEC023/TE/SFR 2,2KW230 1GK3L698001 | RESISTANCE FOUR 2,2 KW 240 V | OVEN ELEMENT 2,2 KW 240 V | ELEKTR. WIDERSTAND 2,2 KW 240 V |
| FORNI TAV. 708 | 23 | | | | | |
| FORNI TAV. 708 | 24 | RTFOC00638 | NEBULIZZATORE FEMD023 | NÉBULISATEUR | DISTRIBUTOR | ZERSTÄUBER |
| FORNI TAV. 708 | (25) | RTFOC00623 | MOTORE+VENT.FEC023 VN120 H25 | MOTEUR + VENTILATEUR | MOTOR + FAN | MOTOR + VENTILATOR |
| FORNI TAV. 708 | 26 | RTFOC00744 | GUARNIZ.GOM.COND.FEMD023 010591 | GARNITURE RACCORD | FITTING GASKET | TÜRDICHTUNG |
| FORNI TAV. 708 | 27 | RTFOC00124 | GOMITO COND.FCV.HTSWDN40X1"1/4 010564 | RACCORD | FITTING | KNIESTÜCK |
| FORNI TAV. 708 | 28 | PAFOC00671 | POSTERIORE FEC023/FEMD023 | PANNEAU POSTERIEUR | BACK PANEL | HINTEN |
| FORNI TAV. 708 | 29 | RTFOC00643 | RAMPA SC.COND.FEMD023 | RAMPE DE DÉCHARGEMENT CONDENSE | RAMP CONDENSE | RAMPE DUNSTABZUG |
| FORNI TAV. 708 | 30 | GAFOC00239 | AS.CONV.CALORE FEC023 | CONVOYER CHALEUR | HEAT CONVEYOR | WÄRMEFÖRDERER |
| FORNI TAV. 708 | 31 | RTFOC00728 | TAPPO C/FORO CASS.FEC023 IVA IRA 10L | BOUCHON | PLUG | GEWINDEPROFFEN |
| FORNI TAV. 708 | 32 | PAFOC00660 | BASAMENTO FEC023 | ENSEMBLE SOCLE F. | BOTTOM | GRUPPE OFEN-UNTERGESTELL |
| FORNI TAV. 708 | 33 | GAFOC00251 | AS.CASSETTO FEC023 | GROUPE PORTE DU FOUR | UNIT OVEN DOOR | GRUPPE OFENTÜR |
| FORNI TAV. 708 | 34 | RTFOC00629 | PIEDINO+TAPPO FEC023/70 | PIED | FOOT | FUSS |
| FORNI TAV. 708 | 35 | RTBF800135 | PASSACAVO GOMMA DA15/22/10 | CHAUMARD | CHOCK | KABELDURCHGANG |
| FORNI TAV. 708 | 36 | PAFOC00668 | GUIDA CASSETTO FEC023 | DIAPO PLATEAU | TRAY SLIDE | GUIDE DRAWER |
| FORNI TAV. 708 | 37 | PAFOC00664 | CONV.ARIA FEC023 | CONVOYEUR AIR | AIR CONVEYOR | LUFTFÖRDERER |
| FORNI TAV. 708 | 38 | RTFOC00782 | TASTO C/PULSANTE FEC023 NERO | PROTECTION DU POUSSOIR | PUSH-BUTTON PROTECTION | DRUCKKNOPF SCHUTZ |
| FORNI TAV. 708 | 39 | 170955 | MANOP.COM.FCV/3 MBM NEW - RAL7031/20 | BOUTON | KNOB | DREHGRIF |
| FORNI TAV. 708 | (40) | 166465 | LAMP.SP.VERDE SL | LAMPE TMOIN VERTE | GREEN WARNING LAMP | GRÜNE KONTROLLEUCHTE |
| FORNI TAV. 708 | (41) | 166466 | LAMP.SP.ARANCIONE SL | LAMPE TMOIN JAUNE | YELLOW WARNING LAMP | GELBE KONTROLLEUCHTE |
| FORNI TAV. 708 | 42 | RTFOC00143 | COMMUTATORE | COMMUTATEUR | COMMUTATOR | KOMMUTATORKUGELGRIF |
| FORNI TAV. 708 | (43) | RTFOC00646 | T.E.FEC023 T285°C 5519052896 | THERMOSTAT DU FOUR | OVEN THERMOSTAT | OFEN THERMOSTAT |
| FORNI TAV. 708 | (44) | RTFOC00568 | TIMER FGC065/1 CR-5-025 50HZ | TIMER | TIMER | TIMER |
| FORNI TAV. 708 | (45) | RTFOC00645 | PULSANTE UNIPOL.FEC023 E2 515 | BOUTON | PUSH BUTTON | DRUCKKNOPF |
| FORNI TAV. 708 | 46 | 171780 | SUPP.BULBO TERMOSTATO CAMERA | SUP.BULBE THERM. | SAFETY THERMOSTAT PROBE HOLDER | HALTER THERMOSTATKUGEL OFEN |
| FORNI TAV. 708 | 47 | PAFOC00669 | SUPPORTO COMANDI | CONTROLE DE SOUTIEN | CONTROL SUPPORT | BEGLEITUNG DER KONTROLLEN |
| FORNI TAV. 708 | 48 | GRFOC00270 | GRUPPO CRUSCOTTO | PANNEAU DE CONTRÔLE | CONTROL PANEL | STIRNBRETT |
| FORNI TAV. 708 | 49 | RTBF900277 | MICROINT.EF46/FE1515 NAAH71535 F | MICRO-INTERRUPTEUR | MICROSWITCH | MIKROSCHALTER |
| FORNI TAV. 708 | 50 | PAFOC00674 | SUP.SERRATURA P.F.FEC023 | SUPPORT SERRURE | LOCK SUPPORT | HALTERUNG SCHLOSS |
| FORNI TAV. 708 | (51) | RTFOC00648 | SERRATURA F.FEC023 8440020013 | SERRURE | LOCK | SCHLOSS |
| FORNI TAV. 708 | 52 | 166283 | ANELLO APERTURA SICUREZZA D.20 FEMD023 | ANNEAU | RING | RING |
| FORNI TAV. 708 | 53 | RTFOC00677 | SPINA 1,3M FEC023 8440020030 | GOUJON 1,3M | DOWEL 1,3M | DUBEL 1,3M |
| FORNI TAV. 708 | 54 | RTFOC00654 | VETRO P/LAMP.FEC023 H003 | VERRE DU PORTELAMPE | GLASS P/LAMP | GLAS P/LAMPE |
| FORNI TAV. 708 | 55 | RTFOC00656 | GUARNIZIONE P/LAMPADA | GARNITURE DU PORTELAMPE | GASKET P/LAMP | DICHTUNG P/LAMPE |
| FORNI TAV. 708 | 56 | RTFOC00484 | C/DADO FIS.T.L.FCV 270211 | C/ECROU | C/NUT | C/MUTTER |
| FORNI TAV. 708 | 57 | RTFOC00485 | GUARNIZ.FIS.T.L.FCV 631005 | GARNITURE | GASKET | DICHTUNG |
| FORNI TAV. 708 | 58 | RTFOC00486 | DADO FIS.T.L.FCV 0000615086 | ECROU | NUT | MUTTER |

| | | | | | | |
|----------------|------|------------|--------------------------------------|-------------------------------|--------------------------------|--------------------------------|
| FORNI TAV. 708 | 59 | PAFOC00711 | DISCO PREMISTOPPA TERM.EGO | DISQUE EFFECTIFS BOX | STAFFING DISK BOX | SCHEIBE STAFFING BOX |
| FORNI TAV. 708 | 60 | RTFOC00751 | GUARN.PREMISTOPPA 00.00624.043 | GARNITURE EFFECTIFS BOX | STAFFING GASKET BOX | DICHTUNG STAFFING BOX |
| FORNI TAV. 708 | 61 | RTFOC00752 | PREMISTOPPA M10 | EFFECTIFS BOX | STAFFING BOX M10 | STAFFING BOX |
| FORNI TAV. 708 | (62) | RTFOC00658 | LAMP.FEC023 15W230V 0529620115 | LAMPE | LAMP | LAMPE |
| FORNI TAV. 708 | 63 | RTFOC00655 | RONDELLA P/LAMP.FEC023 OH015 | RONDELLE | WASHER | SCHEIBE |
| FORNI TAV. 708 | 64 | RTFOC00657 | GUARN.P/LAMP.CON SPACCO FEC023 GN228 | GARNITURE DU PORTELAMPE | GASKET P/LAMP | DICHTUNG P/LAMPE |
| FORNI TAV. 708 | 65 | RTFOC00653 | P/LAMPADA FEC023 77222U02010 | PORTELAMPE | LAMPHOLDER | LAMPENFASSUNG |
| FORNI TAV. 708 | (66) | RTFOC00659 | VENT.CALORE FEC023 | VENTILATEUR | FAN | SCHARNKLÜFTER |
| FORNI TAV. 708 | 67 | PAFOC00713 | SQ. FISSAGGIO TEMPORIZZATORE | SUPPORT ELECTRIQUE TEMPS | ELETTICAL TIME BRACKET | ELEKTROTECHNISHER ZEIT KLAMMER |
| FORNI TAV. 708 | 68 | PAFOC00670 | SQ. SUPPORTO COMANDI ELETTICI | SOUTIEN COMMANDES ELECTRIQUES | ELECTRIC SUPPORT COMMANDS | ELEKTRO UNTERSTUTZUNG BEFEHLE |
| FORNI TAV. 708 | (69) | RTFOC00670 | T.E.FEMD023/T99 5519312817 | THERMOSTAT DU FOUR | OVEN THERMOSTAT | OFEN THERMOSTAT |
| FORNI TAV. 708 | (70) | RTFOC00144 | RELAIS FCVM.BOYLER 60638230000 | RELAIS VAPEUR | RELAY VAPOUR | RELAIS DAMPF |
| FORNI TAV. 708 | 71 | 171781 | SUPP.BULBO TERMOSTATO VAPORE | SUP.BULBE THERM. | SAFETY THERMOSTAT PROBE HOLDER | HALTER THERMOSTATKUGEL OFEN |
| FORNI TAV. 708 | 72 | RTFOC00650 | MORSETTIERA FEC023 500010 | GROUPE DE CONNECTION | TERMINAL BLOCK | KLEMMBRETT |
| FORNI TAV. 708 | (73) | RTFOC00663 | SCHEDA EL.SERRATURA FEC023 | CARTE DE SERRURE | LOCK SCHEME | SCHLOSS KARTE |
| FORNI TAV. 708 | 74 | RTFOC00759 | TEMPORIZZATORE ELETTICO | ELETRIQUE TEMPS | ELETTICAL TIME | ELEKTROTECHNISHER ZEIT |
| FORNI TAV. 708 | 75 | RTCU900415 | CAVO AL.250/SEZ.1,5X3CAVI | ALIMENTATION | POWER SUPPLY | STROMVERSORGUNG |
| FORNI TAV. 708 | 76 | RTFOC00633 | MANIGLIA FORNO PLANET | POIGNÉE | HANDLE | TÜRGRIFFF |

○ = RICAMBI CONSIGLIATI - RECOMMENDED SPARE PARTS